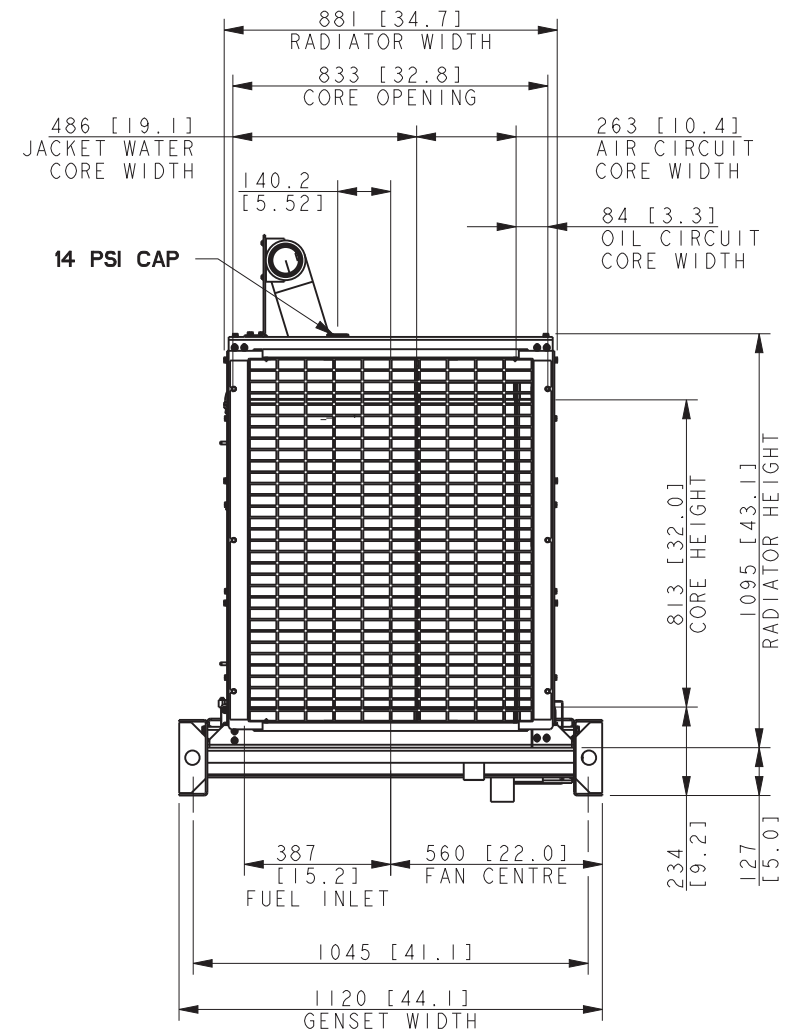
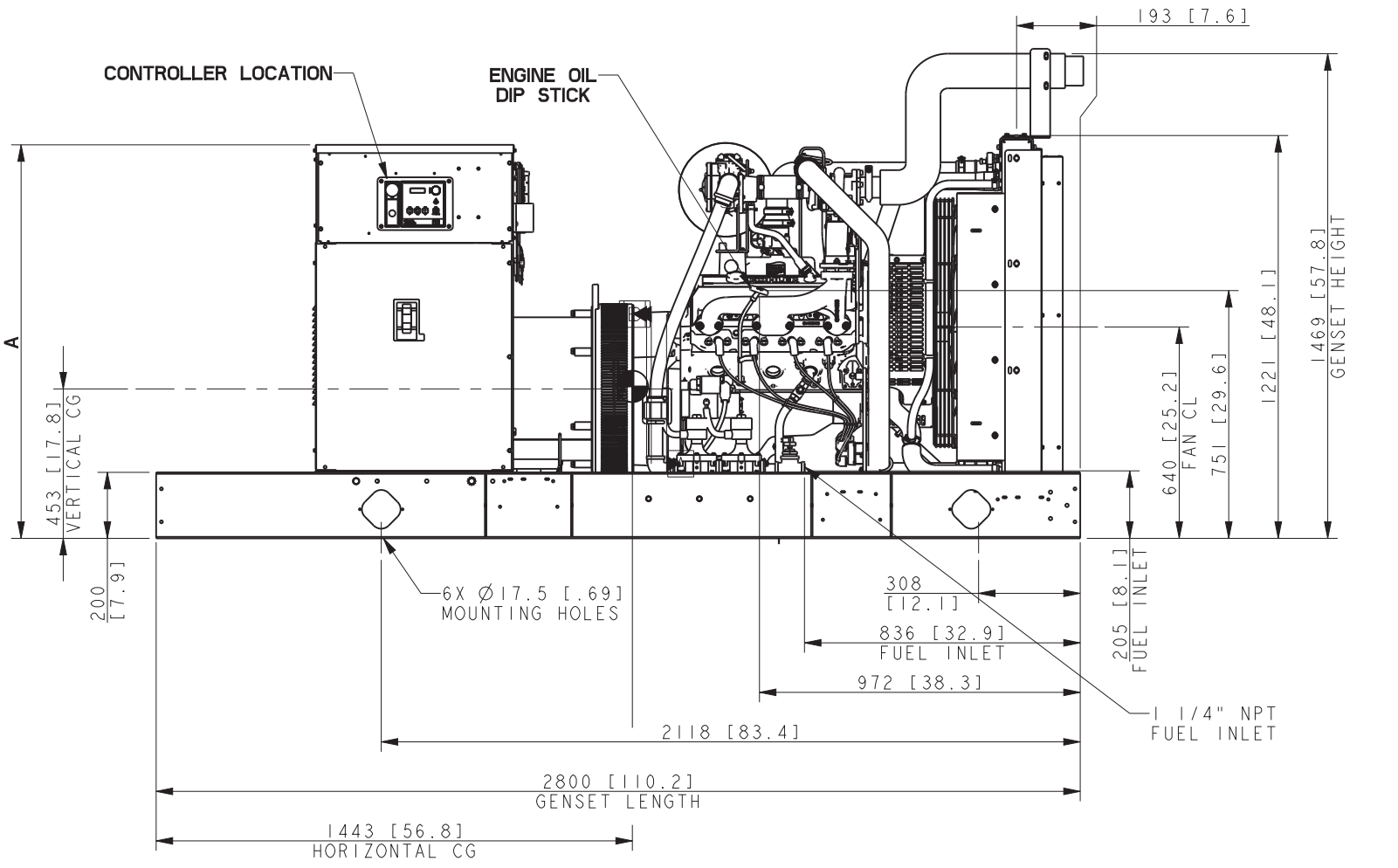


MODEL	ALTERNATOR	WEIGHT (WET)		'A'
		KG	LBS	
KG80	4P10X, 4P10X 600V	1002	2210	1120 [44.1]
	4R9X, 4R9X 600V	1025	2260	1192 [46.9]
	4T9X	1025	2260	1192 [46.9]



- NOTES:
- DIMENSIONS IN [] ARE ENGLISH STANDARD EQUIVALENTS
 - IF ENCLOSURE IS USED REFER TO ENCLOSURE ADV
 - IF IBC CERTIFICATION IS REQUIRED SEE SEISMIC ADV FOR INSTALLATION INSTRUCTIONS.

NOTE: OIL DRAIN IS AT LEFT SIDE OF GENSET

REV	DATE	ON COMPOSITE DWGS, SEE PART NO. FOR REVISION LEVEL	BY	DO NOT SCALE, REFERENCE THE MODEL FOR ALL UNSPECIFIED DIMENSIONS
-	10-23-18	NEW DRAWING [CT191152]	ADP	UNLESS OTHERWISE SPECIFIED: ALL DIMENSIONS IN MILLIMETERS GENERAL TOLERANCES: X.XX ± 0.25 X.X ± 0.5 X ± 1.5 ANGLES ± 0°30' MAX.
A	1-17-19	(A-7) MOUNTING POINT DIMENSION REMOVED [CT193090]	AWK	
APPROVALS				DATE
DRAWN ADP				10-23-18
CHECKED DJV				10-23-18
APPROVED PBT				10-23-18

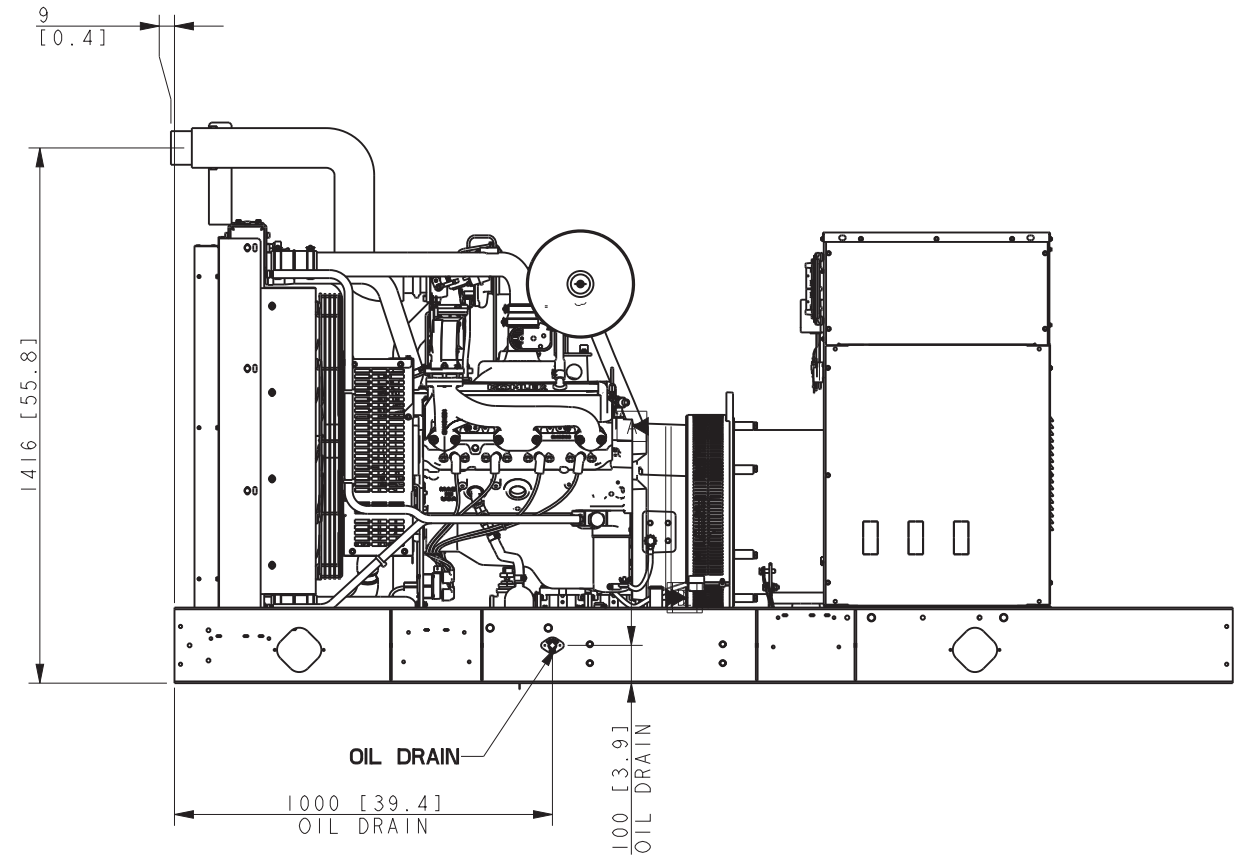
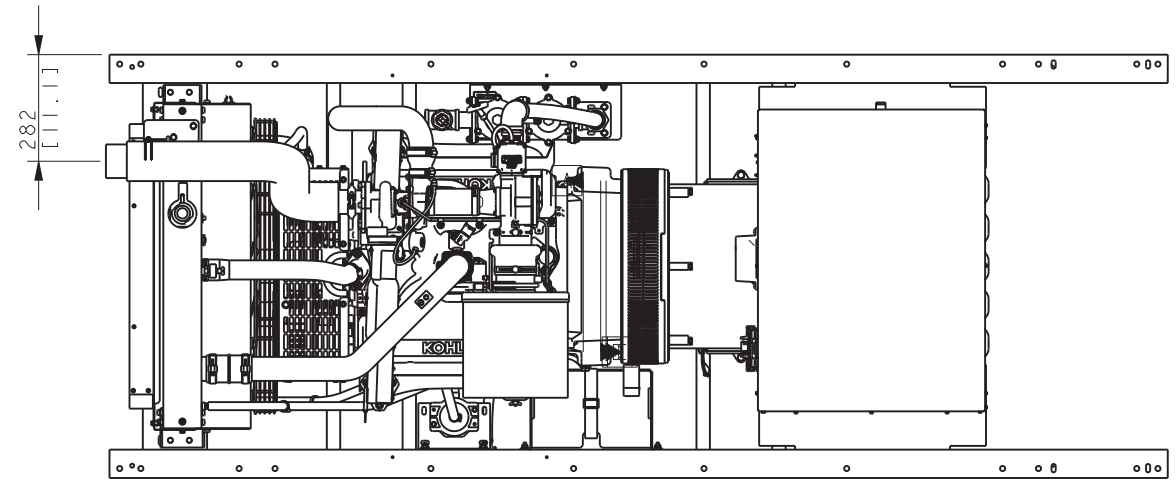
KOHLER
KOHLER, WISCONSIN 53044

THIS DRAWING IN DESIGN AND DETAIL IS KOHLER CO. PROPERTY AND MUST NOT BE USED EXCEPT IN CONNECTION WITH KOHLER CO. WORK. ALL RIGHTS OF DESIGN OR INVENTION ARE RESERVED.

TITLE
DIMENSION PRINT, KG80 6.2L TURBO

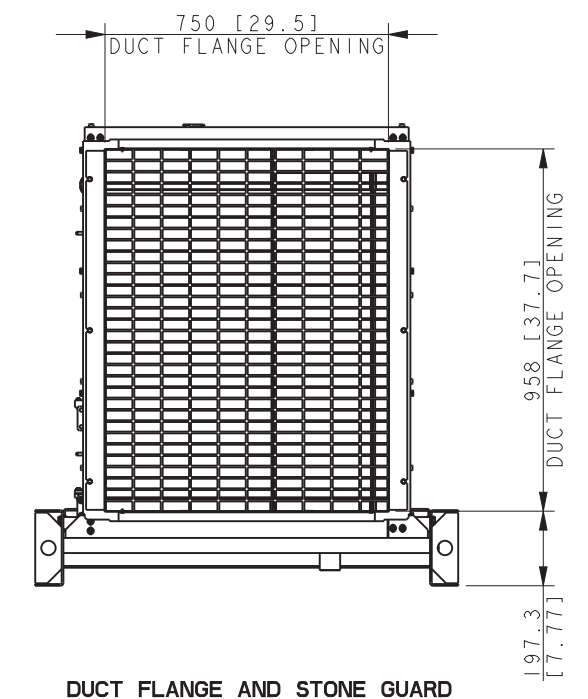
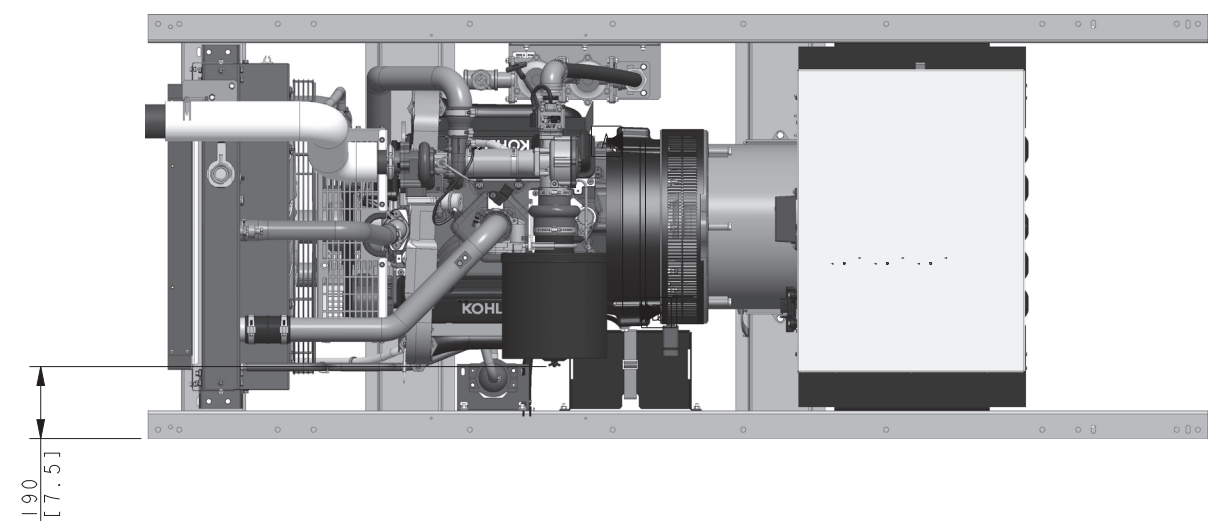
SCALE 0.10 CAD NO. SHEET 1 of 3

ADV-9082 **D**

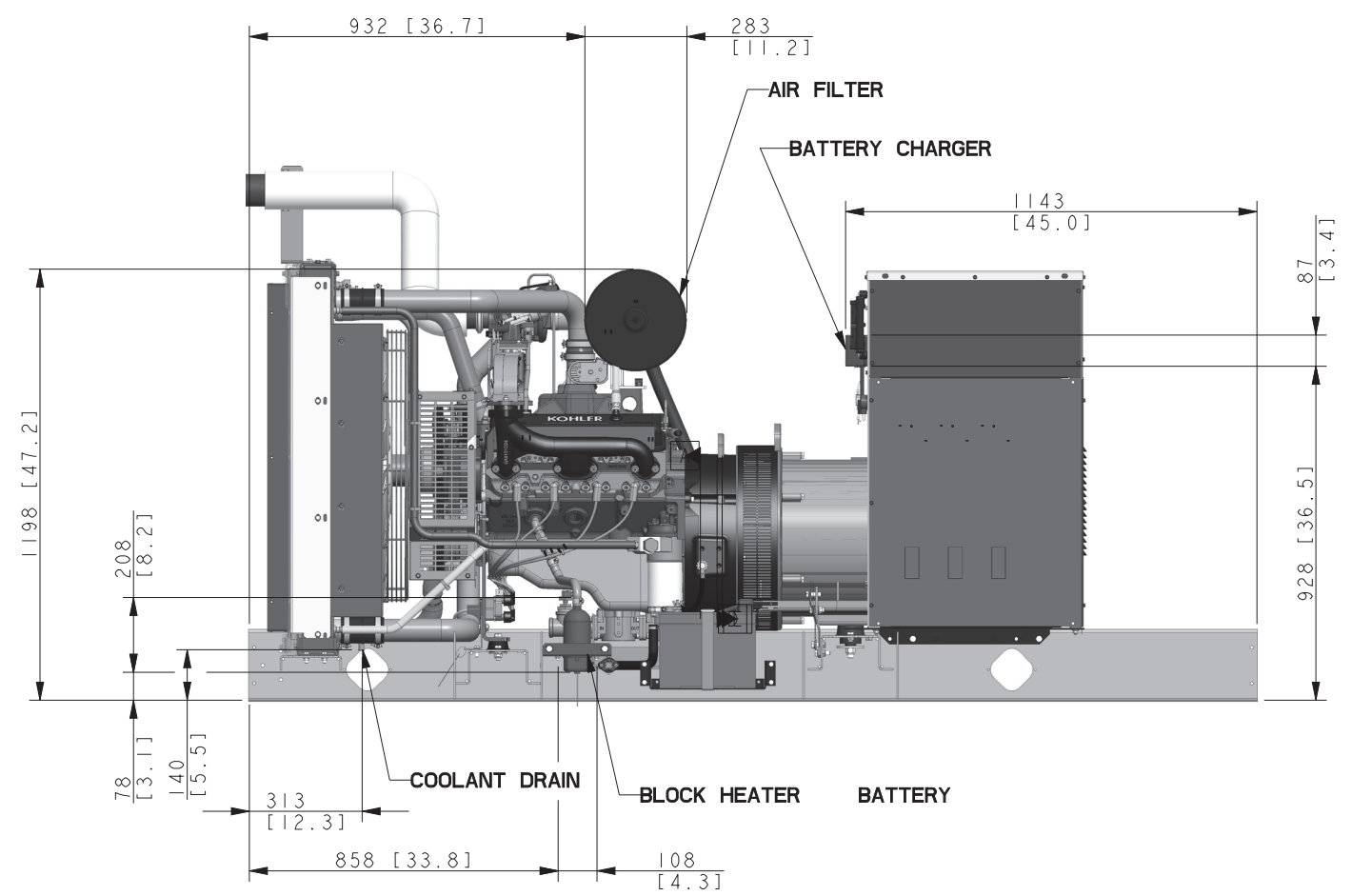


DIMENSIONS IN [] ARE ENGLISH STANDARD EQUIVALENTS

REV	DATE	ON COMPOSITE DWGS. SEE PART NO. FOR REVISION LEVEL	BY	DO NOT SCALE. REFERENCE THE MODEL FOR ALL UNSPECIFIED DIMENSIONS
-	10-23-18	NEW DRAWING [CT191152]	ADP	UNLESS OTHERWISE SPECIFIED: ALL DIMENSIONS IN MILLIMETERS GENERAL TOLERANCES: X.XX ± 0.2 X.X ± 0.5 X ± 1.5 ANGLES ± 0°30' MAX. SURFACE FINISH THIRD ANGLE PROJECTION
A	2-7-19	SEE SHEET 1 [CT193090]	AWK	
				KOHLER. KOHLER, WISCONSIN 53044 THIS DRAWING IN DESIGN AND DETAIL IS KOHLER CO. PROPERTY AND MUST NOT BE USED EXCEPT IN CONNECTION WITH KOHLER CO. WORK. ALL RIGHTS OF DESIGN OR INVENTION ARE RESERVED. TITLE DIMENSION PRINT, KG80 6.2L TURBO
				APPROVALS DATE DRAWN ADP 10-23-18 CHECKED DJV 10-23-18 APPROVED PBT 10-23-18
				SCALE 0.10 CAD NO. SHEET 2 of 3 DWG NO. ADV-9082 D

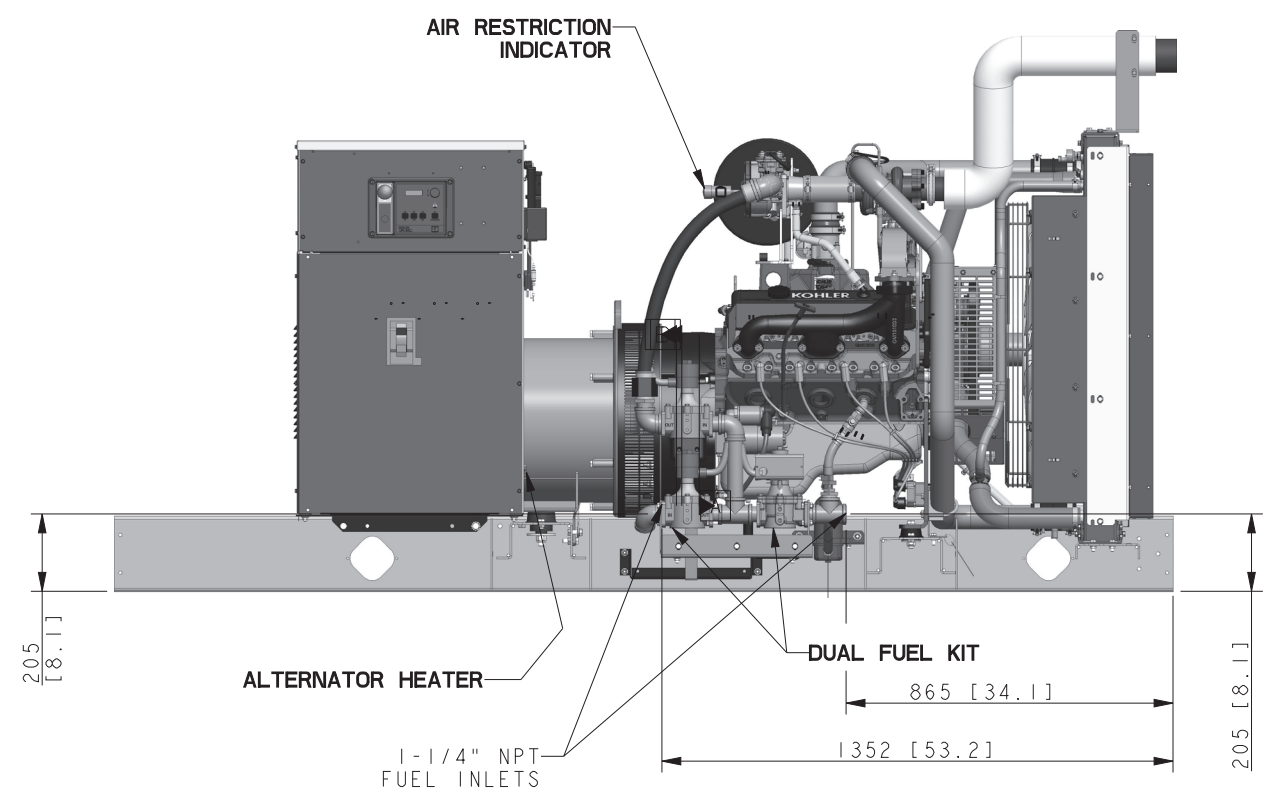


DUCT FLANGE AND STONE GUARD



BLOCK HEATER, AIR FILTER & BATTERY CHARGER
(LEFT SIDE OF GENSET)

NOTE:
LEFT SIDE SKID MEMBER HIDDEN TO SHOW BLOCK HEATER



REV	DATE	ON COMPOSITE DWGS, SEE PART NO. FOR REVISION LEVEL	BY	DO NOT SCALE. REFERENCE THE MODEL FOR ALL UNSPECIFIED DIMENSIONS
-	10-23-18	NEW DRAWING [CT191152]	ADP	UNLESS OTHERWISE SPECIFIED: ALL DIMENSIONS IN MILLIMETERS GENERAL TOLERANCES: X.XX ± 0.25 SURFACE FINISH X.X ± 0.5 MAX ANGLES ± 0°30'
A	2-7-19	SEE SHEET 1 [CT193090]	AWK	
				<p>KOHLER KOHLER, WISCONSIN 53044</p> <p>THIS DRAWING IN DESIGN AND DETAIL IS KOHLER CO. PROPERTY AND MUST NOT BE USED EXCEPT IN CONNECTION WITH KOHLER CO. WORK. ALL RIGHTS OF DESIGN OR INVENTION ARE RESERVED.</p> <p>TITLE DIMENSION PRINT, KG80 6.2L TURBO</p>
APPROVALS		DATE		
DRAWN		ADP	10-23-18	
CHECKED		DJV	10-23-18	
APPROVED		PBT	10-23-18	
SCALE 0.10 CAD NO.				SHEET 3 of 3
DWG NO. ADV-9082				D