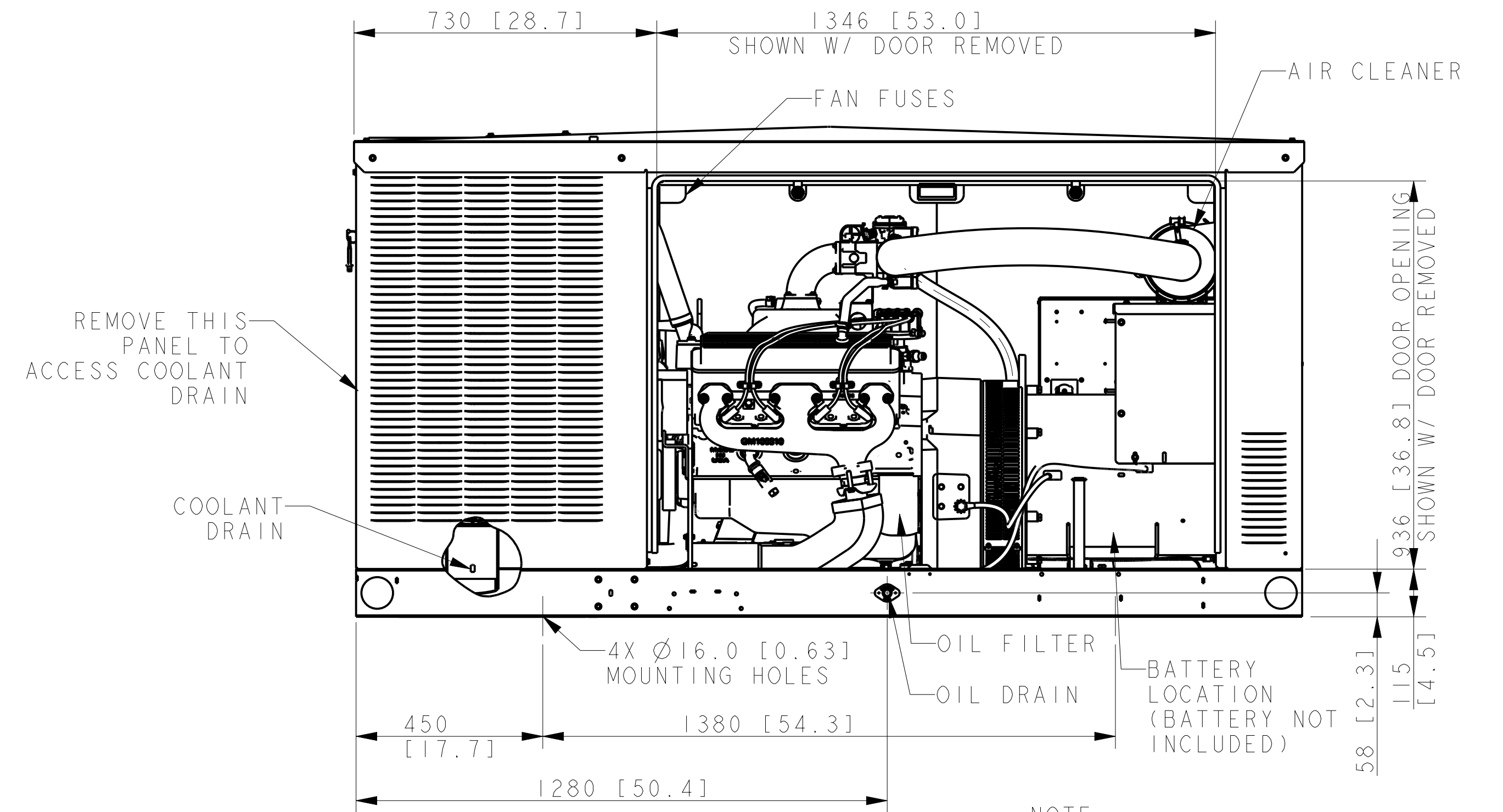
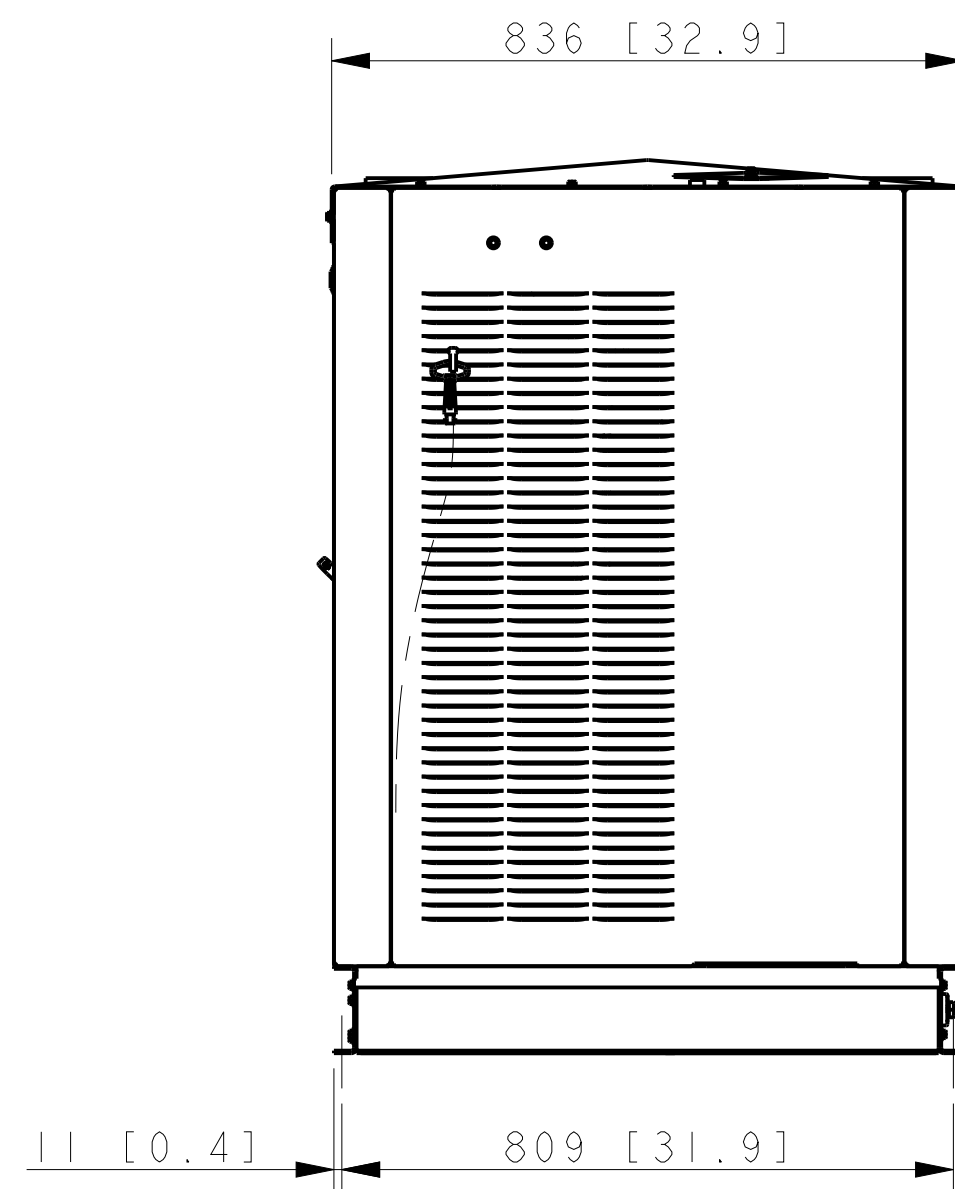
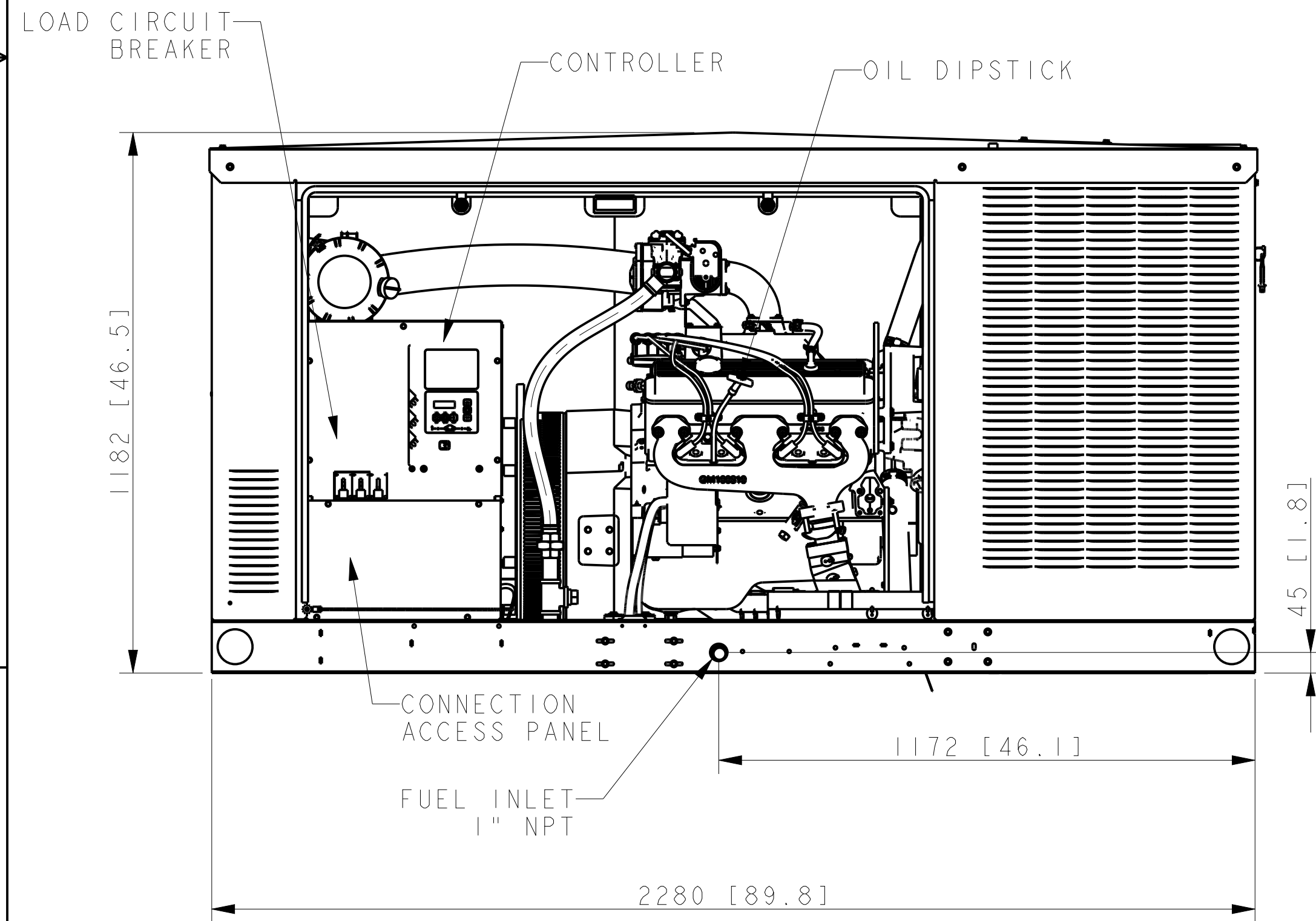
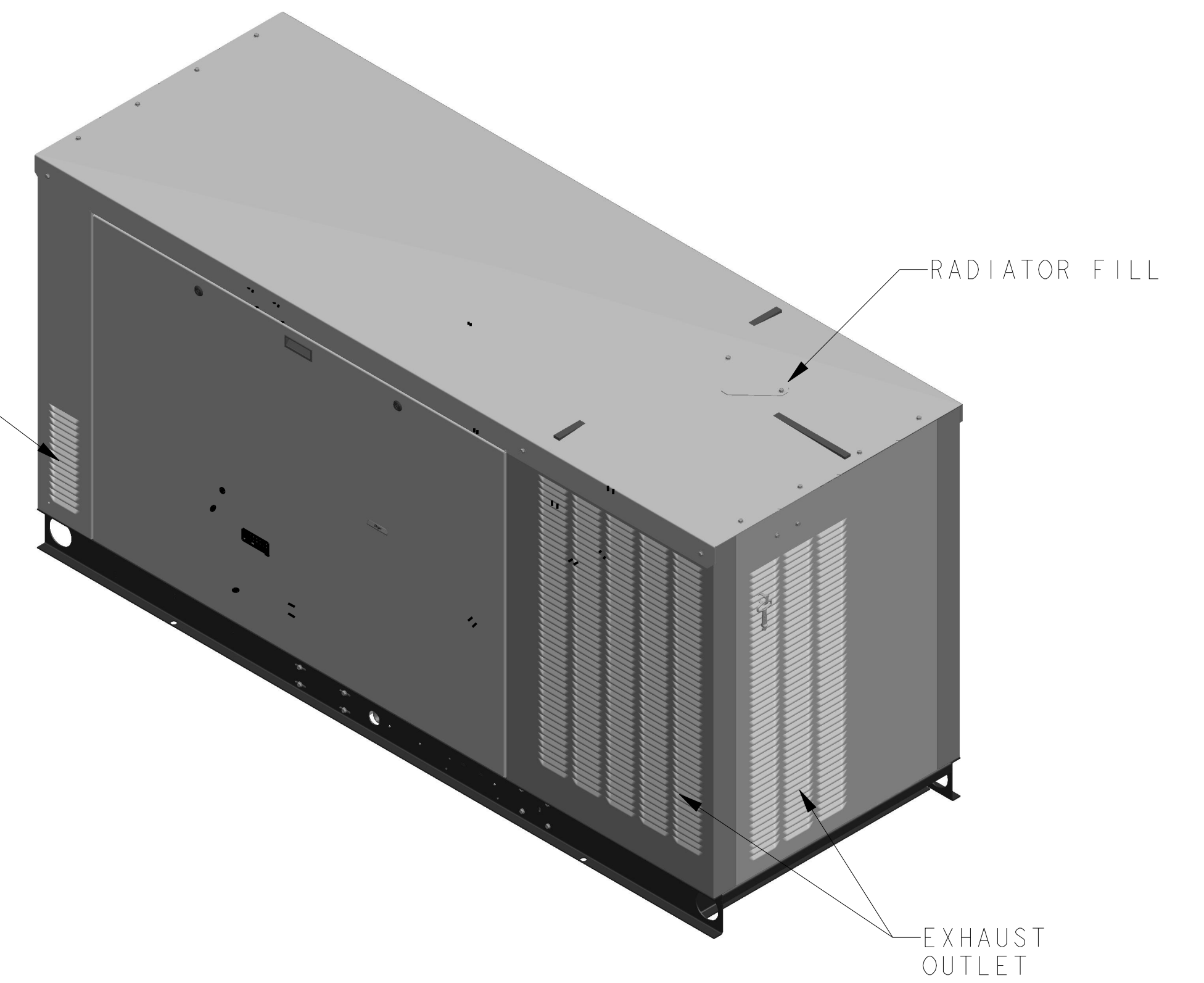


ENGINE AND ALTERNATOR AIR INLET LOUVERS, SHOWN HERE AND ON BACK SIDE.

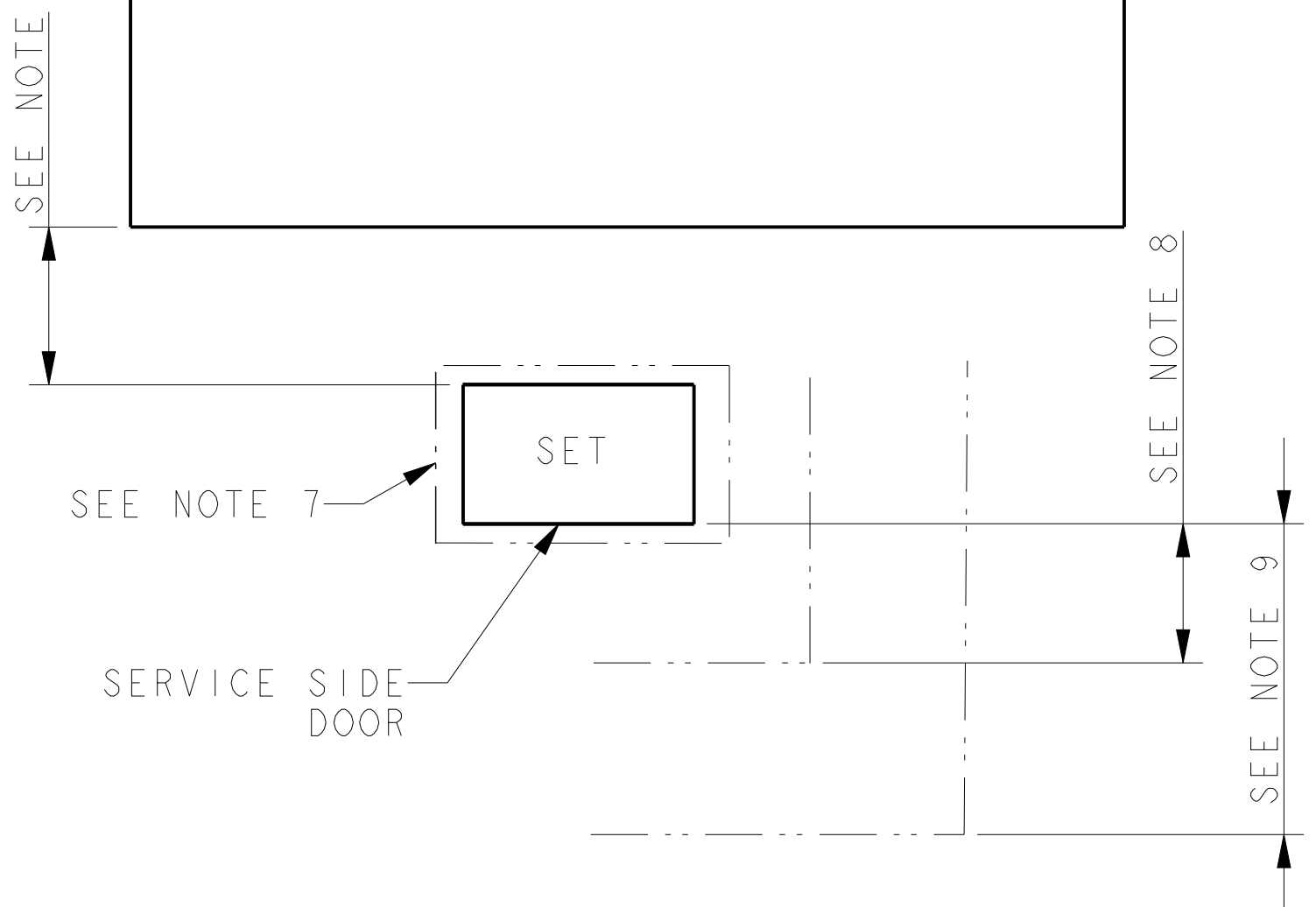
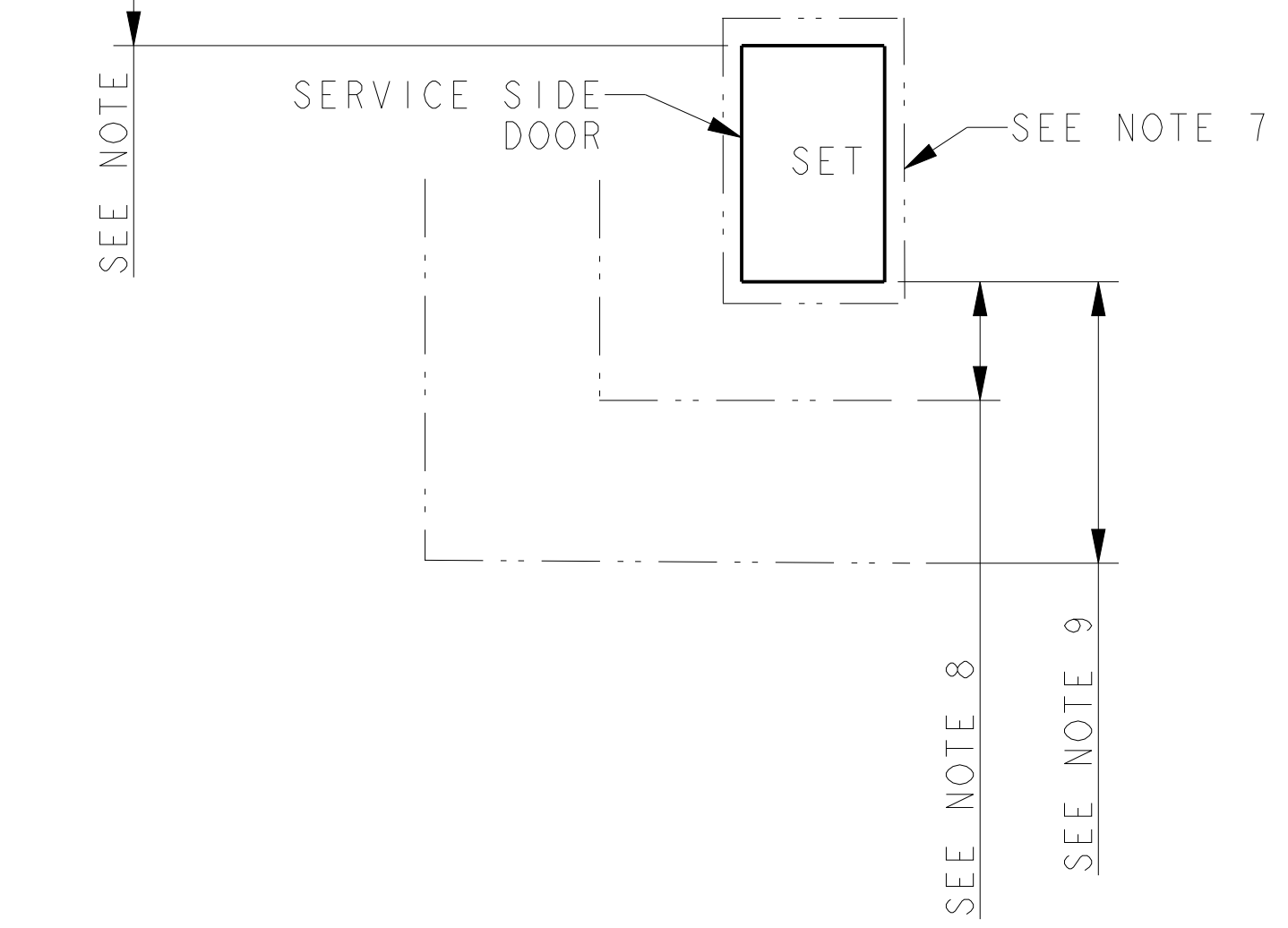
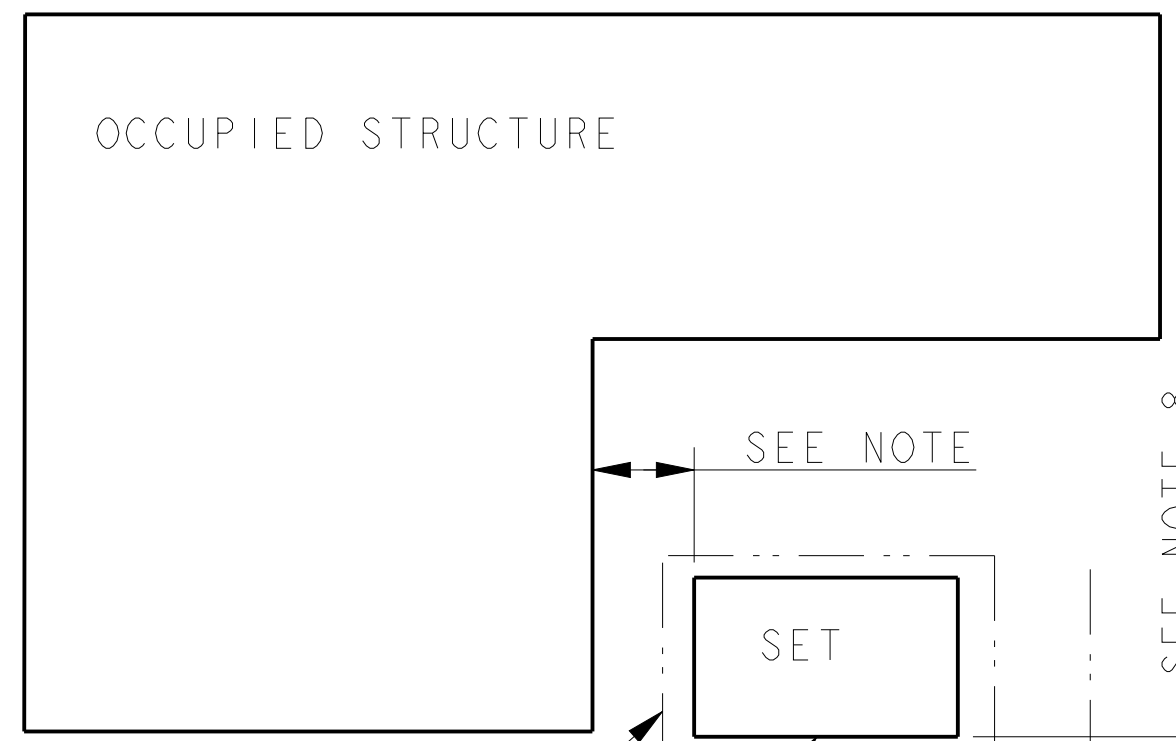
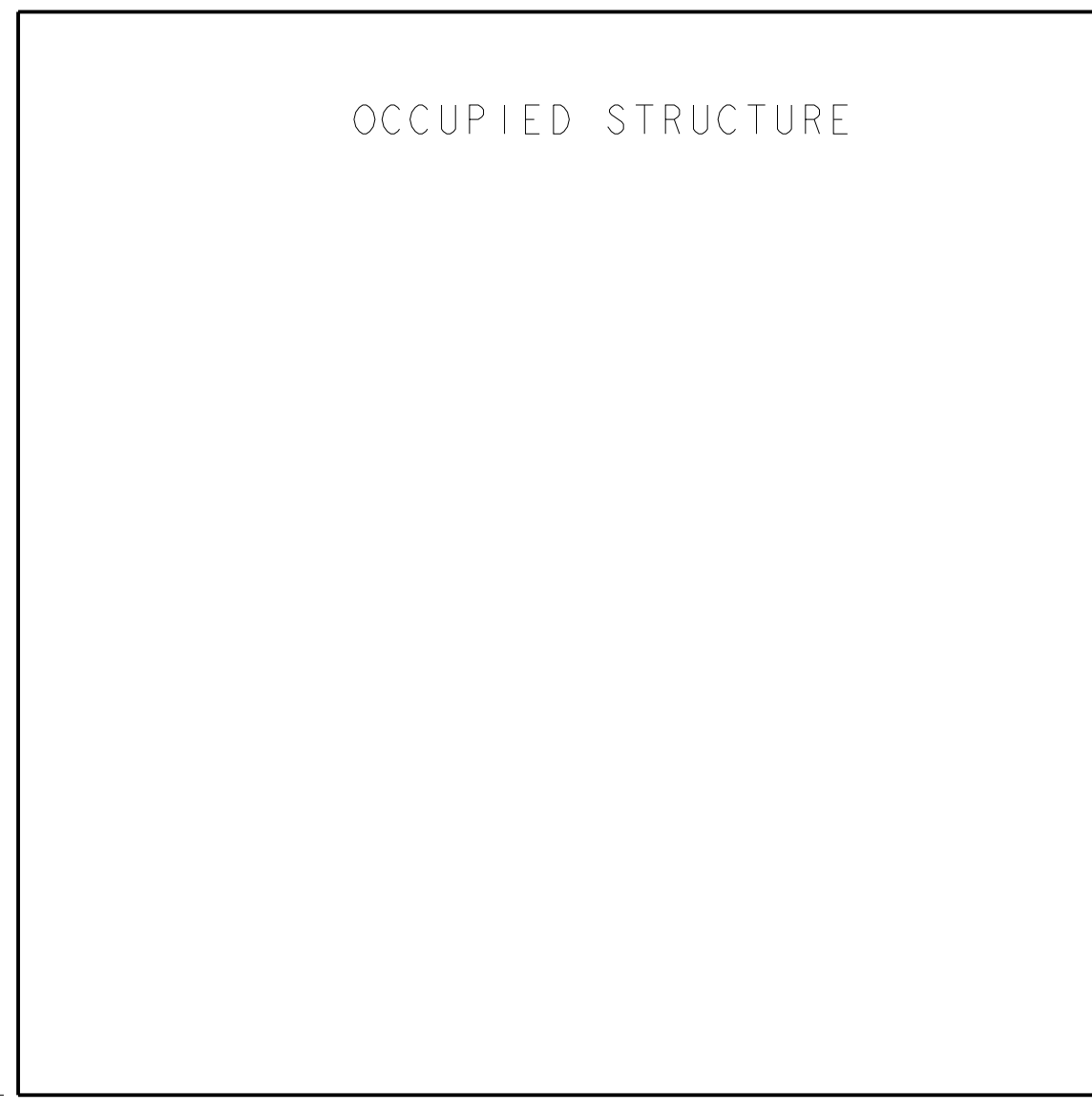
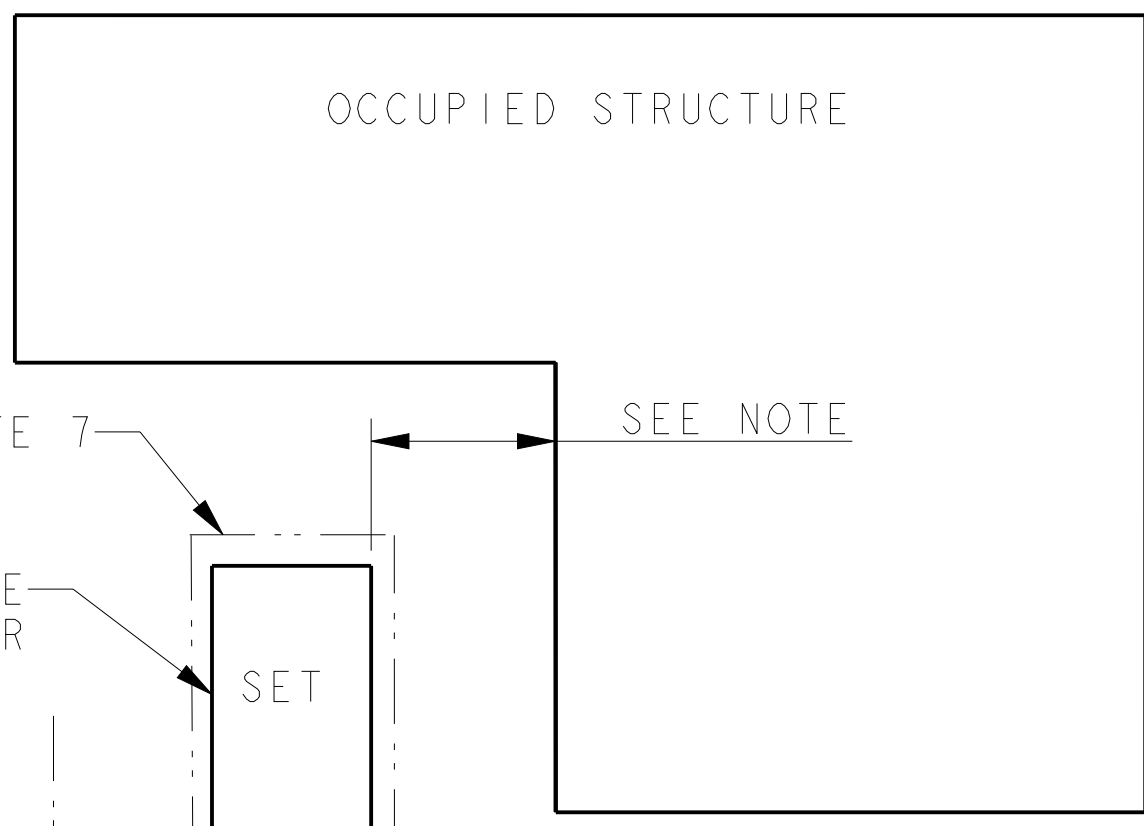
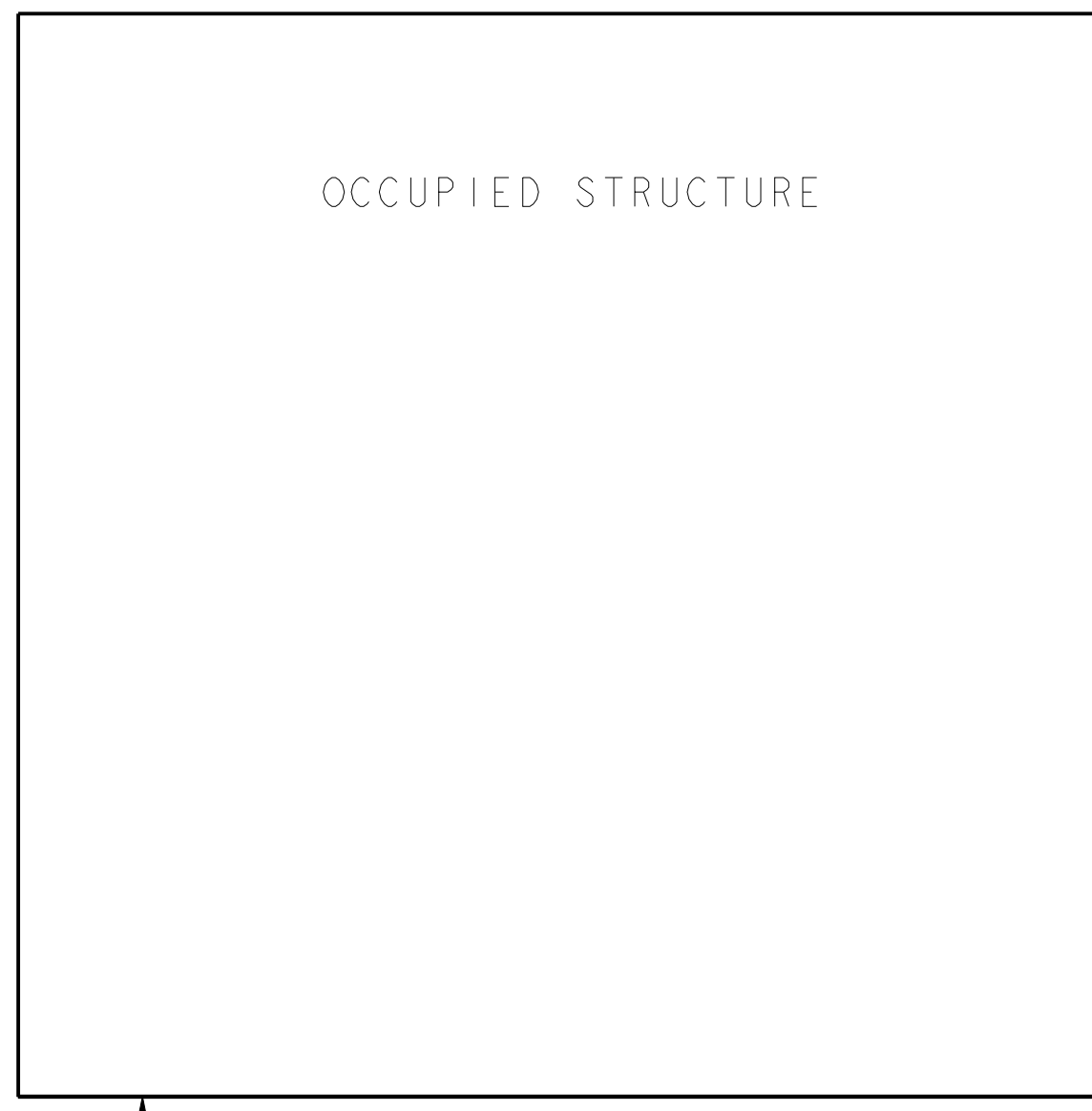


NOTE: DIMENSIONS IN [ ] ARE ENGLISH STANDARD EQUIVALENTS

48 RCLB/ 60 RCLA

REV	DATE	ON COMPOSITE DWGS, SEE PART NO. FOR REVISION LEVEL	BY	DO NOT SCALE. REFERENCE THE MODEL FOR ALL UNSPECIFIED DIMENSIONS
-	8-19-17	NEW DRAWING [CT178070]	SAK	UNLESS OTHERWISE SPECIFIED: ALL DIMENSIONS IN MILLIMETERS GENERAL TOLERANCES: N/A
				<b>KOHLER</b> KOHLER, WISCONSIN 53044 THIS DRAWING IN DESIGN AND DETAIL IS KOHLER CO. PROPERTY AND MUST NOT BE USED EXCEPT IN CONNECTION WITH KOHLER CO. WORK. ALL RIGHTS OF DESIGN OR INVENTION ARE RESERVED.
				TITLE <b>DIMENSION PRINT, 48RCLB/60RCLA</b>
				SCALE 0.40 CAD NO. SHEET 1 of 2
				DWG NO. <b>ADV-8954</b>

THIRD ANGLE PROJECTION	
APPROVALS	DATE
DRAWN SAK	8-19-17
CHECKED DJV	8-19-17
APPROVED KJT	8-19-17

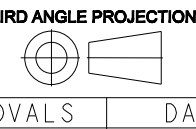


INSTALLATION GUIDELINES

- 1) EXHAUST IS AIMED AWAY FROM OR PARALLEL TO THE STRUCTURE.
- 2) EXHAUST IS NOT DIRECTED AT PLAY AREAS, PATIOS OR OTHER AREAS WHERE PEOPLE CONGREGATE.
- 3) THE NEAREST WINDOW, VENT, DOOR OR SIMILAR STRUCTURE OPENING IS AT LEAST 5 FEET FROM THE EXHAUST END OF THE SET.
- 4) SET HAS PROPER OFFSET FROM STRUCTURE.
- 5) WINDOWS & DOORS ON ADJACENT WALLS ARE CLOSED.
- 6) FURNACE AND OTHER SIMILAR INTAKES ARE AT LEAST 10 FEET FROM EXHAUST END OF SET.
- 7) 4" THICK CONCRETE PAD EXTENDING 6" BEYOND GENSET ON ALL SIDES.
- 8) WEED BARRIER & GRAVEL BED TO EXTEND 4 FT. FROM EXHAUST OUTLET. NO PLANTS, SHRUBS OR OTHER COMBUSTIBLES ALLOWED IN GRAVEL AREA.
- 9) SENSITIVE PLANTS, PATIO FURNITURE, ETC. ARE AT LEAST 8 FEET FROM EXHAUST END OF SET.
- 10) REFER TO OWNERS MANUAL FOR OTHER INSTALLATION CONSTRAINTS.

NOTE:  
 THE RECOMMENDED DISTANCE FROM A STRUCTURE IS DEPENDENT ON STATE AND LOCAL CODES.  
 NFPA 37 (STANDARDS FOR THE INSTALLATION AND USE OF STATIONARY COMBUSTION ENGINES AND GAS TURBINES) STATES THIS DISTANCE SHOULD BE AT LEAST 5 FEET FROM A COMBUSTIBLE MATERIAL.  
 FOR INSTALLATIONS NEAR NON-COMBUSTIBLE MATERIAL BE SURE TO LEAVE A MINIMUM DISTANCE OF 3 FEET TO ENSURE PROPER GENERATOR COOLING.

60 RCLB

REV	DATE	ON COMPOSITE DWGS, SEE PART NO. FOR REVISION LEVEL	BY	DO NOT SCALE. REFERENCE THE MODEL FOR ALL UNSPECIFIED DIMENSIONS
-	8-19-17	NEW DRAWING [CT178070]	SAK	UNLESS OTHERWISE SPECIFIED: ALL DIMENSIONS IN MILLIMETERS GENERAL TOLERANCES: N/A
				<b>THIRD ANGLE PROJECTION</b>  APPROVALS      DATE DRAWN      SAK      8-19-17 CHECKED      DJV      8-19-17 APPROVED      KJT      8-19-17
				<b>KOHLER</b> KOHLER, WISCONSIN 53044 THIS DRAWING IN DESIGN AND DETAIL IS KOHLER CO. PROPERTY AND MUST NOT BE USED EXCEPT IN CONNECTION WITH KOHLER CO. WORK. ALL RIGHTS OF DESIGN OR INVENTION ARE RESERVED. <b>TITLE</b> DIMENSION PRINT, 48RCLB/60RCLA SCALE: 0.40 CAD NO. SHEET 2 of 2 DWG NO. <b>ADV-8954</b>

D